

LA500

RESIDENTIAL / LIGHT
COMMERCIAL DC SWING
GATE OPERATOR

ELITE SERIES®

LA500

RESIDENTIAL / LIGHT
COMMERCIAL DC SWING
GATE OPERATOR

Specifications

Power

110V or 220V Single Phase
(220V requires optional
torroid transformer)

Accessory Power

24VDC 500mA output
Switched & Unswitched Power

Surge

Industrial strength suppression
on high and low voltage inputs

Operator Duty Rating

300 cycles per day

Temperature Specifications

-40°F (-40C) to 140°F (60C)

Gate Travel Speed

90 degree opening in
15-17 seconds

Warranty

2 Year Warranty

Construction

Chassis

Commercial duty aluminum die
cast housing

Motor

24VDC continuous-duty motor

Worm Gear Reduction

Precision machined all metal gear in
contained lubrication housing

Operator Weight

Actuator Arm 25lbs
Standard Control box 20lbs
-Includes (2) 7AH batteries
XL Control Box 31lbs
- Batteries ship separate

Add to Your System



EL25 & TAC1
Single/Multi-Tenant Telephone Entry System



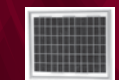
828LM
LiftMaster® Internet Gateway



829LM
Garage Door and Gate Monitor



LOOPDETLM
LiftMaster® Plug-in Loop Detector



LA500SLRPKG
Solar Package



LA500CONTXLM
XL Metal Control Box



CPS UN4
Thru-Beam Photo-Eyes

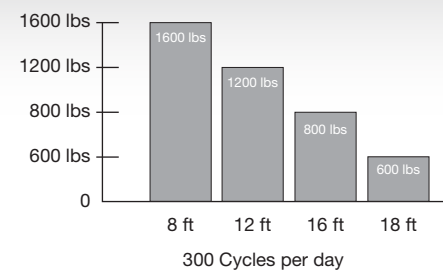


G65 MGR20
Safety Edges

FOR MORE ACCESSORIES GO TO LIFTMASTER.COM

Recommended Capacities

Swing Rating

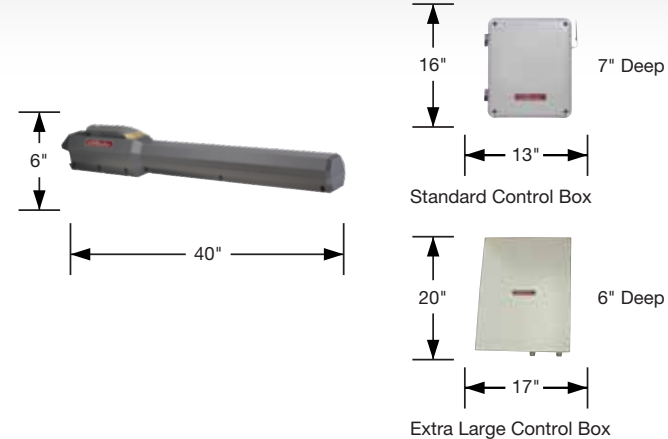


Battery Backup Operation

BATTERY	CYCLES
2 - 7Ah	500

12 ft / 800 lbs Swing Gate

Dimensions



Engineered to Work Every Time. Built to Last Over Time.

LiftMaster swing gate operators are built to perform in the most demanding applications. Synonymous with quality, dependability, and award-winning designs that meet / exceed UL-325 safety standards; LiftMaster's Elite Series is recognized as the undisputed leader in gate operator technology.

The LA500 model is our most advanced residential DC swing gate operator. It is equipped with industry-leading features like MyQ and Security+ 2.0 communications, battery backup, and capacity to handle gates up to 18 feet and 1600 lbs.

With a network of more than 8,000 professional dealers and 100 years' of access experience, it's no wonder that homeowners trust LiftMaster to provide security and control for their residential applications.

- **Battery Backup**
Uninterrupted access when the power is out
- **Security+ 2.0™ technology**
2X the range of standard remotes
- **MyQ™ technology**
provides the ability to remotely monitor and activate your gate from anywhere in the world via an Internet-enabled mobile phone or computer



LiftMaster®

The Chamberlain Group, Inc. • 845 Larch Avenue • Elmhurst, IL 60126

www.LiftMaster.com

ISO 9001 Certified Manufacturer



Follow us on Facebook, Twitter and YouTube!



©2012 LM CSW24V 04/12
The Chamberlain Group, Inc.
Printed in U.S.A.

LMGTBRLA50

WARNING:
To reduce the risk of injury to persons - When the LiftMaster® Internet Gateway is used with garage door openers, the operator must be installed with sectional doors. The LiftMaster® Internet Gateway is ONLY compatible with the following gate operators: Models CSW24V, CSL24V and LA500. Always design, install and maintain safe gate access systems in accordance with UL325 & ASTM F2200 standards.

LiftMaster®

Features/Benefits



Battery Backup

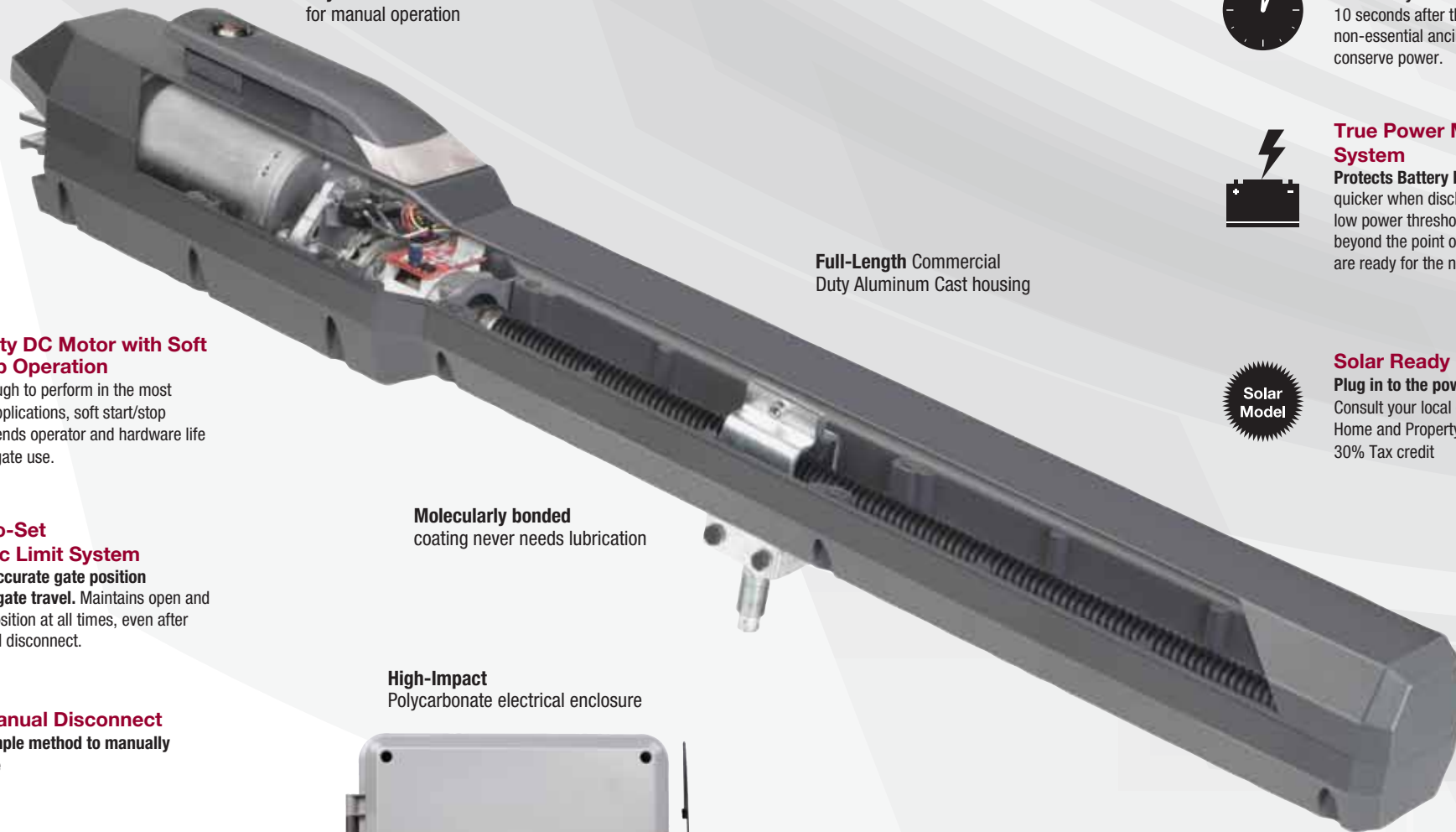
Works when the power is out. Provides up to 500 cycles on battery backup. Powers safety devices and ancillary devices.



Security+ 2.0™ Technology

Double the range of standard transmitters. Multi frequency radio virtually eliminates interference. Receiver holds up to 50 remotes. Homelink® compatible version 4 and higher.

Key release for manual operation



Full-Length Commercial Duty Aluminum Cast housing

Molecularly bonded coating never needs lubrication

High-Impact Polycarbonate electrical enclosure



Heavy Duty DC Motor with Soft Start/Stop Operation

Powerful enough to perform in the most demanding applications, soft start/stop operation extends operator and hardware life under heavy gate use.



Simple-to-Set Electronic Limit System

Maintains accurate gate position throughout gate travel. Maintains open and close limit position at all times, even after using manual disconnect.

Keyed Manual Disconnect

Provides simple method to manually operate gate



Plug-in Loop Detectors

Easy to install, simple to program. 8 different settings, including boost. Innovative technology eliminates crosstalk. Inputs for shadow, interrupt and exit loops.



Fire Department Compliant

Selectable settings allow gate to auto-open upon loss of AC power or battery depletion

Programmable Auxiliary Relays

Save time and money when adding on auxiliary devices. 2 programmable relays with 6 settings each simplify adding additional features.

- Pre-warning or gate in motion sounder
- Switch on/off devices at open or close limits

External Obstruction Sensing

Complies with UL325 safety code. Inputs are provided to simplify secondary non-contact or contact sensors such as photo-eyes and edge devices. Installer will recommend best secondary entrapment device for the application.



Bi-Part Delay

Selectable dual gate operation

Standard Operation – Simultaneously closes gates at the same time.

Synchronized close – Monitors the speed and position of each wing and adjusts the speed as necessary to ensure primary gate closes last, avoiding potential damage to the gate.



Exceptional Standby Time

Our battery backup lasts for 14 days.

10 seconds after the gate closes, all non-essential ancillary devices turn off to conserve power.



True Power Management System

Protects Battery Life. Recovers batteries quicker when discharged and manages the low power threshold. Will not run the batteries beyond the point of failure, ensuring batteries are ready for the next time they are needed



Solar Ready

Plug in to the power of the sun.

Consult your local dealer for more details. Home and Property Owners can qualify for a 30% Tax credit



Advanced Traffic Management Control

Discourages tailgating

Quick Close – Closes the gate immediately after a vehicle pulls off the interrupt loop.

Anti-Tailgate – Prevents unauthorized access. Gate will pause when closing as vehicle pulls onto interrupt loop or breaks photo beam. Once vehicle backs up, gate will continue to close.

MyQ™ Enabled Accessories

LiftMaster's revolutionary MyQ™ technology is designed with simple mobile access control in mind. The new LiftMaster® model LA500 comes with MyQ™ technology built-in. Pair it with our LiftMaster® Internet Gateway accessory to remotely monitor or open or close your gate from anywhere in the world with one click on your Internet-enabled mobile phone or computer.



LiftMaster® Internet Gateway

(model 828LM)

LiftMaster's revolutionary new accessory features built-in MyQ™ technology that connects to the Internet and allows you to monitor and control your gate operator from anywhere in the world via your internet-enabled mobile phone or computer.



Garage Door and Gate Monitor

(model 829LM)

Lets you check and close the gate operator from any room in your house.



Remote Light Control

(model 825LM)

Control your house lights and operate any lamp with your remote control or from your Internet-enabled smart phone via your LiftMaster® Internet Gateway

LiftMaster® Internet Gateway Accessory functionality is dependent on communication with MyQ™ enabled gate operator. MyQ™ communication can be limited by distance and type of exterior building materials. A general range estimate is 300 feet.



LiftMaster®