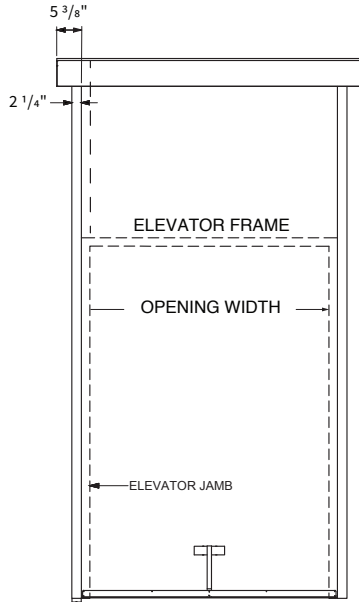
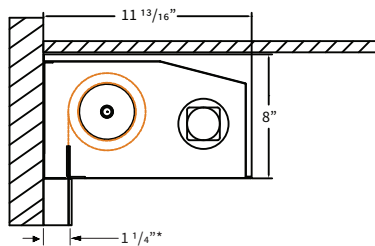


# SMOKESHIELD™ ELEVATOR

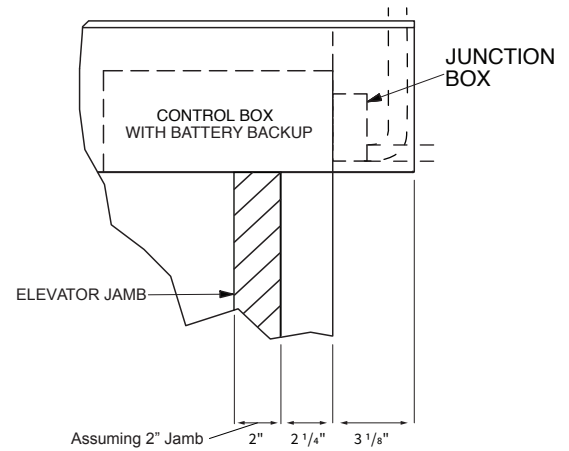
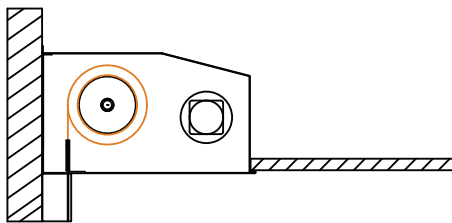
Model ERF10



### BELOW CEILING



### FLUSH WITH CEILING



\*If a packoff is needed for installation, this dimension will increase.

### MAX SIZES

**WIDTH - 12 FT**  
**HEIGHT - 12 FT**

Assumes average Elevator jamb width of 2"

#### Complies with:

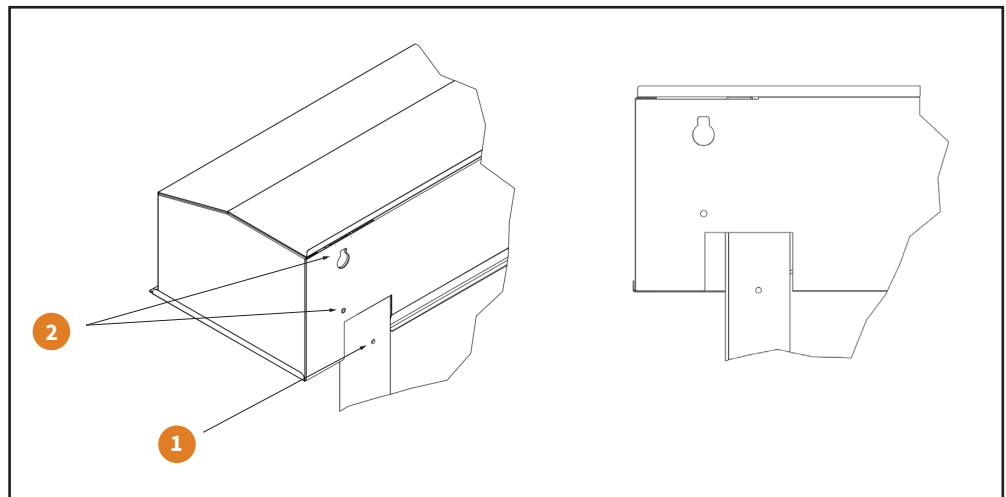
- ▶ IBC 2003, 2006, 2009, 2012, 2015, 2018
- ▶ ICC-ES Report AC - 77

#### Listed:

- ▶ UL 1784
- ▶ UL 325
- ▶ UL 864
- ▶ ASTM E84

### STRUCTURAL INFO

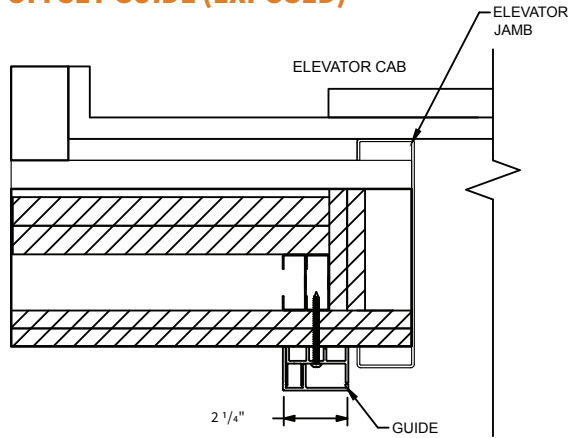
1. Vertical jambs support the weight of the headbox assembly containing the barrel, curtain, motor and controller.
2. Headbox attached to wall at these 2 points.



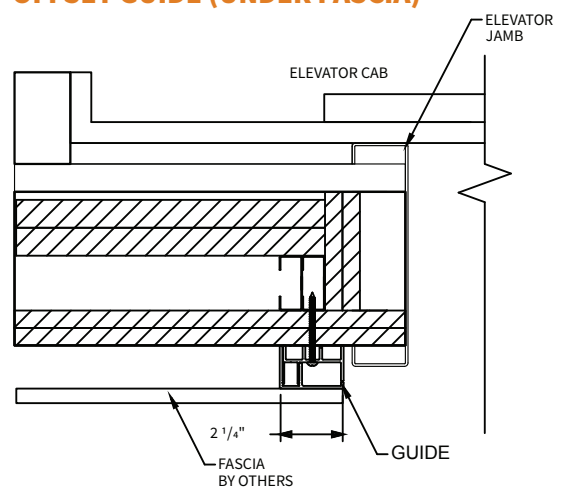
NOTE: This design requires back to back studs adjacent to vertical elevator jambs

**STANDARD GUIDE OPTIONS**

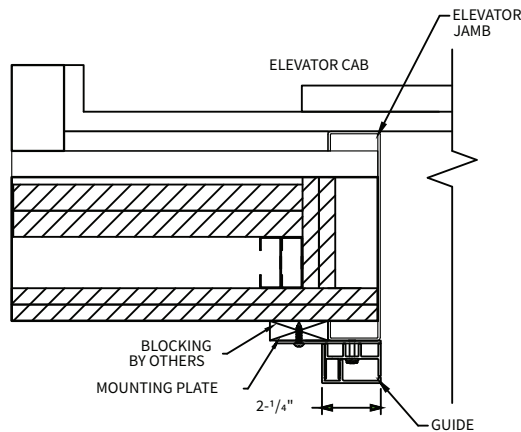
**OFFSET GUIDE (EXPOSED)**



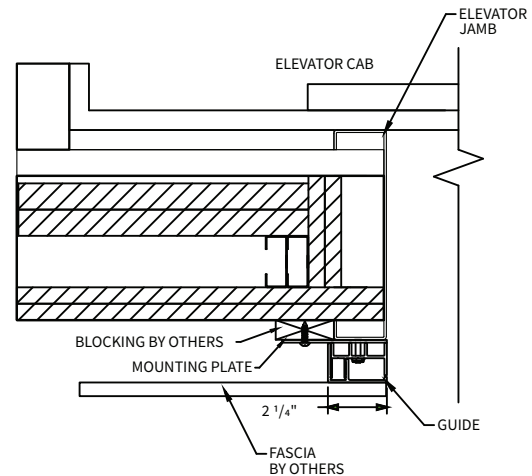
**OFFSET GUIDE (UNDER FASCIA)**



**OVERFRAME (EXPOSED)**



**OVERFRAME (UNDER FASCIA)**



Please Note: Curtains exceeding 70" may require vertical seaming.

**CUSTOM-DESIGNED SOLUTIONS**

Our experienced Architectural Design Support Team can customize our products to fit your specific application.

☎ 877.537.4567 ✉ arch@cornellcookson.com

800.233.8366 | [cornelliron.com](http://cornelliron.com)

CornellCookson, Inc. is an ISO 9001:2015 registered company  
11.2020